



THE COMPASS

Official Newsletter of the Great South Bay Amateur Radio Club

November 2015

Volume 43

Issue #11

Upcoming Club Events

Next General Meeting:

Thursday, Nov. 19th,
8 PM at the EOC

New Computer Net
2nd Thursday of each
month on the 2 meter
repeater (146.685 110.9 PL)
Net Control: Joe, KD2GAG

GSBARC's FREE
License Classes Tuesday
nights 7-9:30 PM.
General Class Starts
Tuesday, Nov. 17th

Open Houses on
Wednesday nights from
7:30 to 9:30 p.m. and
also Saturdays from
noon to 3 p.m

Visit us on Facebook at
www.facebook.com/gsbarc



GSBARC President John Melfi, W2HCB, receiving "Ham Radio Operator of the Year" for ARRL Hudson Division



2015 Hope for the Warriors Run

Inside this issue of The Compass...

- Hudson Awards Luncheon
- Hope for the Warrior Run Photos
- KB6NU's Guest Column
- Inside the Squirrel Cage (a column)
- Kit night photos

President's Message



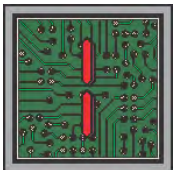
To all those who made the trip to the Hudson Division awards luncheon on Nov. 8, thank you sharing a special day with me as I received the Amateur of the Year Award for 2015. If you were there, you saw Richie, K2KNB, introduce me. Thank you, Richie, for all the kind words. I never expected to win such an award: It sure was a surprise!

What's going on? Well, let's see: This month's meeting -- elections -- please remember that our meeting will be on November 19th

Now, I know that we are only in November, but I am getting the word out about our Winter Night Out on January 8th -- please see the ad in this issue of The Compass. It should be a real fun time.

Let's have a ton of fun in 2016. Let's hope band conditions improve and let's get on the air!!

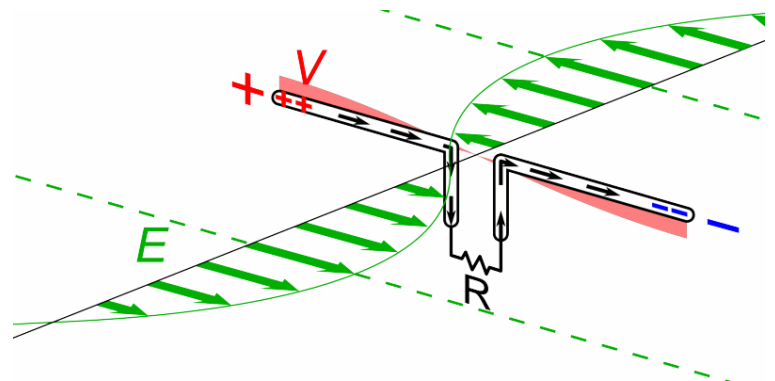
73. John Melfi, W2HCB 



had a hard time writing this month's message. So many things happened at the end of last month and a few more happened this month already. First, I want to thank you all for your support as I once again will be the president of this great club running unopposed for 7 years. I am glad that you all trust me to move our club in the right direction. As our membership continues to grow, we are able to do so much together. Did you hear the great news? For Field Day, W2GSB took first place in the Hudson Division, NLI section and the 6F Class! You all did an awesome job and once again, thanks to ICOM for a great Field Day. Hopefully we can do it again. If you missed Field Day, no worries -- save June 25th and 26th for 2016.

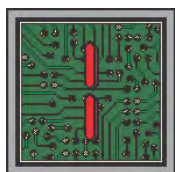
Over the last 6 years, we have done so much -- but the real improvements are yet to come. As you have heard by now, Great South Bay Amateur Radio Club Inc. is receiving a grant. The donor has asked to remain anonymous, so please don't pry. Or, if you know, please don't mention it -- as requested by our donor.

The Hope for the Warriors run on Nov. 7 was a great event once again. Suffolk County Police said we all did a great job. They even were checking out the APRS trackers from their patrol cars. I want to thank you all very much for your help. And to all of the new operators -- you did a great job! I am glad to see new operators get involved. As I have said many times, the amateur radio hobby has many faces, from dxing to contesting or just rag-chewing to public service. I am pleased to see that GSBARC supports all of the different facets of the hobby. If you need any help with learning anything in the hobby or projects, don't hesitate to ask.



Inside the Squirrel Cage

by Caryn, KD2GUT



knew I had long ago fallen into that deep DXers' abyss when, just a few weeks ago, the OM reminded me his car was warming up in the driveway and we had a 7 pm reservation at our favorite Italian restaurant. But I was solidly in the trenches of PSK-31.

"OK," I called out, "just one more QSO. I swear I won't be more than another minute. Well, maybe two."

In ham radio, where the tick-tock of every QSO clock is governed by an immutable universal time zone many hours to the east or, perhaps, west, that "minute or two" can sometimes buy you a bit more time on the air. That rationale doesn't work, however, in the realm of Eastern Standard Time and so, as soon as the last "73" crossed my lips, I had traded 20 meters for tortellini.

Yep, almost a year after making my first DX contact, I finally 'get it.' And now, the hypnotic glow of the front panels of my power supply and rig are like year-round Christmas lights to me, promising an endless supply of gifts.

"What exactly do you DO in that room with that stuff?" people want to know. So I tell them, not hesitating one single bit as I blurt: "I tune in a frequency and talk, mostly to strange men, and I tell them how strong they are. They return the favor, telling me they have no trouble receiving me. Then we take turns, describing our equipment to one another."

I never knew a person's eyes could stretch that wide.

But it doesn't end there: Back in college, when I was obsessed with learning a new language, I found myself dressing up my dreams with foreign subtitles. But now I'm practically breaking into my own slumber, popping up from my pillow every 10 minutes, shouting "this is KD2GUT, in sleep mode." (Hey, you never know where the FCC monitors may be lurking. They could well be those proverbial monsters under our beds).

I guess it was bound to happen. And I guess it was only a matter of time (make that Zulu) that the rest of the world

started to notice. How could they not? The other day, I found myself covertly translating into Code an otherwise uninspiring presentation being given during a meeting at the office. It was my best-kept secret of that very long hour. But one of these days, I'm certain I'll start sputtering - no doubt to a request from the boss - "Dah-dah-dah dah-di-dah." At that point, you can expect me to be carted off to some very happy place where it's always warm and comfy, where I can wear my robe and my fuzzy slippers, and where they shut the door firmly and throw away the key.

It just better not be a straight key. ☎

The Prizes for our next raffle.



1st Prize: Rigol 1054Z Oscilloscope



2nd Prize (left) MFJ-269C Antenna Analyzer

3rd Prize (right) Extech EX330 Digital Multimeter

A new Heathkit! So, why am I not excited?

by Dan Romanchik, KB6NU



a couple of weeks ago I got an e-mail from Heathkit. Yes, the NEW Heathkit. you might remember that a couple of years ago, there was all this hype about a “new” Heathkit and how they were going to start designing new kits as well as revive popular old designs.

Then, nothing. They went completely quiet—until a couple of weeks ago. In an e-mail sent to their “insiders,” they say:

“Dear Heathkit Insider,

‘What I really hope Heathkit will produce,’ a Silicon Valley colleague recently told me, ‘is a new radio kit with a beautiful finish, maybe in rosewood.’ Something great to enjoy building and learn from, and also visually stunning, so he could put it in his living room and keep it forever.

“Today, my friend gets his wish.

They then go on to explain all of the work they’ve been doing in relocating Heathkit to Santa Cruz, CA, acquiring a second company, and securing all the intellectual property rights to the old Heathkit manuals and logos (meaning no more bootleg copies on the Internet). The e-mail continues:

“That’s a lot, but there’s more. We’ve designed and developed a wide range of entirely new kit products. We authored the manuals for these kits, complete with the beautiful line art you rely on, preserving and respecting our iconic historic Heathkit style. We developed many new inventions and filed patents on them..... We built the back office infrastructure, vendor and supply chain relationships, systems, procedures, operations methods, and well-thought-out corporate structure that a manufacturing company needs to support its customers, to allow us to scale instantly the day we resume major kit sales. All this effort enables us to introduce a fleet of new kits and helps ensure Heathkit can grow, prosper, and continue to bring you great new

products for a very long time.”

So, what’s the exciting news? A new QRP transceiver? Maybe a shortwave radio? A new 100-in-1 experimenter kit for Makers?

Uh-uh. Sorry. The “exciting” news is a tuned radio frequency (TRF) AM band (yes, I said AM band) radio kit that costs \$150 (<https://shop.heathkit.com/shop/product/explorer-jr-trf-am-radio-receiver-kit-black-case-gr-150-bk-16>). Not only is that crazy expensive for an AM radio, it doesn’t even come with a speaker. On top of that, there’s no soldering. You screw all of the components to the board. I’m speechless (well, figuratively, not literally).

I’m not sure what the target market is for this product. It’s certainly not amateur radio operators, who expect a lot more (in terms of both functionality and “fun”) for their money. Nor is it the “Maker” folks, who want something more challenging than an AM radio. I think that if I took this to show off at the local Ann Arbor Maker group, they’d laugh me out of the place.

I really hope that they have something better up their sleeves. A strong Heathkit would be good for the Maker movement and for ham radio. 🙏

When not thinking about what kit to build next, Dan, KB6NU, operates CW on the HF bands (mostly 40m and 30m). His #1-rated amateur radio blog can be found at KB6NU.Com, and you can e-mail questions, comments, or complaints to cwgeek@kb6nu.com.



The 1964 Heathkit Catalog

Noise From a Different Point of View

by George, K2KVI



s radio operators, we usually deal with unwanted background signals which we refer to as noise. This noise can come from power lines, electronic devices and even washing machines. Sometimes this interferes with our ability to communicate with other operators and leads to frustration. So, we move to another frequency or just turn the radio off and do something else. But, what if you couldn't move to another frequency or turn off your radio and were forced to listen to the noise all day – every day? It would become quite annoying, wouldn't it?

Recently, the behavior of one of my dogs changed. A normally quiet and calm dog became very restless and would begin to bark for no reason (usually in the middle of the night). We checked everything – his food, looked for injuries, teeth, ears, etc. We found nothing abnormal.

At this point you're wondering what does this have to do with ham radio? While not directly related to ham radio, it does have to do with noise from electronic devices. But this time, it's not Radio Frequency noise interfering with our radios, its Audio Frequency noise coming from an electronic device.

Let me explain: One night before going to bed, I was trying to calm the dog so I might get a good night sleep. I turned everything off and was sitting on the floor with the dog and after a few minutes, I heard a faint high-pitched whistling sound. At first I thought it was the dog breathing, but realized it was a constant sound. If you've ever tried to find the source of a high-pitched sound, you know how difficult it is – especially for those of us over 50. The noise was so faint, normal household activities made it impossible for us humans to hear.

Continued on page 6...

GSBARC WINTER NIGHT OUT

Don't be left out in the cold! — Let's have a fun time!

How Much? Adults \$46, Kids \$25

When: Friday, January 8th

Where: [La Famiglia Family Style Restaurant](#)
90 West Main Street
Babylon, NY 11702

Every table gets the following:

- **Bruschetta platter**
- **House salad**
- **Baked clams**
- **Stuffed mushrooms**
- **Mozzarella and tomatoes and roasted peppers**
- **Eggplant Rollatini**

Main course platters:

- **Penne a la Vodka**
- **Rigatoni La Famiglia**
- **Chicken Parmesan**
- **Veal Rosario** (*Veal with prosciutto mushrooms roasted peppers in a light brown sauce with mozzarella on top*)
- **Seafood COMBO** (*Mussels, Clams, Jumbo shrimp, and calamari over pasta*)

Wine, Beer, Soda, coffee, Cappuccino, and Espresso all included

Why: Because we all deserve a night out with amateur radio friends and family!

Want to go? email our president W2HCB at w2hcb@arrl.net

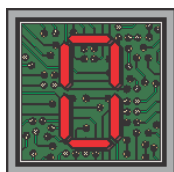
How do you pay? *Cash, check, or PayPal via the website. Under the donation button enter: "GSBARC Winter Night Out" in the memo section so we know why you gave us money.*

I hope to see a large turnout because it's going to be a lot of fun.

73, John Melfi, W2HCB

Keeping Time for Amateur Radio

by John Smale, K2IZ



October 31st/November 1st marks the end of Daylight Saving Time, or as the joke goes, “Only the government can tell people that, by cutting an inch off one end of a blanket and sewing it back on the other end, they are making the blanket longer.”

For Amateur Radio operators, and a lot of other people, “fall back” means setting the local clocks back one hour. But we also keep time in “GMT/Zulu/UTC” or whatever the heck they call it today – and that time never gets changed. Here in our local time zone, we will go from GMT/Zulu/UTC +4 to +5 hours, meaning when it is 0001 local time, after November 1st it will be 0501 in whatever you want to call it -- until next spring, when we “spring ahead” and go back to +4.

If you only do local communications, this will not be much of a problem but, for those of us who do contesting, chasing DX and general interstate rag chewing, it is a must that we keep accurate GMT/Zulu/UTC time. The best example I can give is this: One time, when a young man was visiting W2GSB, I was showing him the station and I made a contact with a station in Belgium. After I signed, I explained to the young man about making a log entry to confirm the contact. Everything went well until I entered the time; he pointed to the local clock and said I had put in the wrong time. This led into a very lengthy conversation that had to start with the original problems navigators had in finding longitude and how people needed a specific time for reference. The conversation moved next into how it was 5 hours later in Belgium than it was on Long Island but we both used GMT/Zulu/UTC as a common reference point. Of course, that led to further conversation about how it is tomorrow in Asia -- but if I work a station, we use today’s time, GMT/Zulu/UTC for the reference time. So, for instance, if you talk to a station in Indiana, that station is one hour behind Eastern Standard Time, so a contact with them at, say 2200 local time here, would be logged at 0200Z for the next day (after we’ve had to “spring ahead.”) The same goes for a QSO with a Hawaiian station, which

is behind us by 6 hours. The contact would still be logged as 0200Z the next day. If you notice at the club station at Town Hall, W2GSB, there are two clocks on the wall. One is marked local, the other is marked UTC. Well, on Sunday, Nov. 1, the local clock gets moved back 1 hour but the UTC clock will remain the same.

Once you understand what it is, it is quite easy to understand and remember. What brought this article on was that I finally decided to check my clocks and computer in the shack. I’d stopped wearing a watch a while back so I wasn’t too sure if my computer’s clock was accurate. There are two different sources to get both time and check the accuracy of your receiver/transmitter frequency: One is WWV, National Bureau of Standards located in Fort Collins Colorado; the other is the Canadian Standards station, CHU. For WWV, I tuned to 10,000 kHz. One of the frequencies for CHU is 3330 kHz. I found that all my clocks in the shack were off by at least 3 to 4 minutes – slow. I don’t think it will make a difference, but there are some cases where, if logs are being checked, there might be enough difference to have you listed as “not found in the log,” and if you are chasing that rare DX card, this can cause a few problems.

So now I have an additional routine in my schedule, something I should have been doing all along: checking the settings of the clocks in my shack. Now, all I have to do is remember where my watch is so I can check its settings and correct the rest of the clocks in the house. Ⓜ

Noise... continued from page 5

After about an hour, I finally found the source of the noise – it was coming from the old TV we have in the room where the dog stays. It’s an old CRT style TV with a clock, VCR and DVD player built in. It must have a switching power supply in it. Even with the TV off, the switching power supply is still on. This switching power supply was the source of the Audio Frequency noise. I unplugged the TV and the noise stopped.

While the sound was barely noticeable to me, it must have been fairly loud to my dogs’ sensitive ears. It took several days, but our dogs’ behavior returned to normal. We tend to focus on how electronic devices in our homes affect our radios. In the same way we ‘child proof’ our homes to protect our young children, we also need to look at some of these electronic devices from our pets’ point of view. Ⓜ



GSBARC takes advantage of a short break between classes to hold kit-building sessions on Tuesday nights at the EOC.

2 Sessions were held on Nov. 3rd and 10th to work on the RDF Antenna Kits. Classes resume on the 17th with the General License Classes.



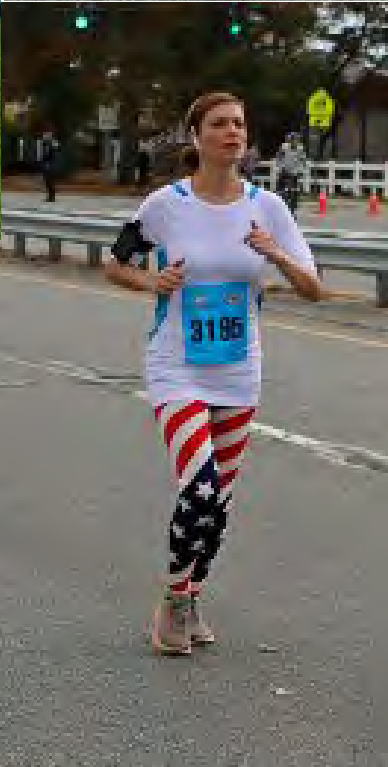
Remember: Classes resume on Tuesday nights but we continue to have open house on Wednesday nights from 7:30 to 9:30 p.m. and Saturdays from noon to approximately 3 p.m.

Come down to operate the club station, build kits, have coffee or just rag chew with friends!

Hope for the Warriors Run 2015



*Hudson Division Awards Luncheon
Featuring John Melfi, W2HCB
Amateur Radio Operator
of the Year Award*



YAHOO!

GSBARC has a New Yahoo Group and the old one has been deleted

If you are a member in good standing and want to join the club's new Yahoo group, go to:

<http://groups.yahoo.com/neo/groups/gsb-arc/>

and click on "Join Group" Be sure to add a note when filling out your information with your call sign so we know who you are!

Club Apparel

Want a shirt, jacket, hat, sweatshirt or t-shirt with a Great South Bay club logo? We now use Mr. Shirt, located at 80 East Montauk Hwy in Lindenhurst (www.mrshirt.com). Now you can get color matched backgrounds on your logo too. Check them out...

ARES/RACES Information

Div. 1—Town of Babylon ARES/RACES

Net: 146.685/R, Mondays 8:15 PM
EC/RO: John Melfi, W2HCB, (631) 669-6321

Div. 2—Town of Huntington ARES/RACES

Net: 147.210 MHz +600/ PL 136.5,
Mondays 7:00 PM

EC/RO Steven W. Hines, N2PQJ, (###) ###-####

Div. 3—Town of Islip ARES/RACES

EC/RO: John J Blowsky, KB2SCS, 631-467-2410

Div. 4—Town of Smithtown ARES/RACES

Net: 145.430 MHz, PL136.5, Mondays 7:30 PM
EC/RO: Joe Albertus, KB2IOE, 631-664-6709

Div. 5—Town of Brookhaven ARES/RACES

EC/RO: Ted Debowy, AC2IR, 631-751-6576

Div. 6—Riverhead ARES/RACES

EC/RO: Donald Rollock, W2EUL, 631-929-0705

Div. 7—Southampton ARES/RACES

EC/RO: Dennis O'Rourke, KB2ZWW, 631-728-5424

Div. 8—Southold ARES/RACES

EC: Don Fisher, N2QHV, 631-765-2757
RO: Charles Burnham, K2GLP, 516-779-4983

Div. 9—East Hampton ARES/RACES

EC/RO: Nat Raynor, N2NEI, 631-324-3738

Div. 10—Shelter Island ARES/RACES

EC/RO: Neal Raymond, N2QZA, 631-749-9330

Suffolk County

ARES/RACES Net:

Mondays 2100 Local - 145.330/R (136.5 PL)
Alternate Frequency - 145.370 (136.5 PL)

New York State

RACES Net (HF)

Sundays 0900 Local, 3993.5 KHz LSB

2015 VE Session Dates

- November 28th
- December 26th

2016 VE Session Dates

- January 23rd
- February 27th
- March 26th
- April 23rd
- May 28th

All sessions are at the Town of Babylon EOC at 10 a.m., located in the basement in the rear of town hall. Please bring photo ID, a copy and your original amateur radio license (if you have one), and any CSCE's you may have. Non programmable calculators are allowed. The exam fee is \$15 payable by cash or a check made out to "ARRL VEC".



All Flag & Flagpoles

FLAGS • BANNERS • FLAGPOLES & REPAIRS

SPECIALIZING IN CUSTOM FLAGS AND BANNERS

97 Gnarled Hollow Road, East Setauket, NY 11733

Tel: 631-751-5500 Outside NY: 800-247-8331

Fax: 631-751-5505

Website: www.all-flags.com • E-Mail: info@all-flags.com



23 1/2 Hour
TOWING SERVICE

Hassell

Auto Body

390 ROUTE 109 WEST BABYLON, NY 11704

www.hassellautobody.com

(631) 587-5500 1-800-HASELL FAX: (631) 587-7845

Need Antenna Work?

Sign-up on the list at the EOC. Please supply as much information about your situation so the committee can be properly prepared with assistance and tools when they come to your QTH.

Club Name Badges

Club name badges are available from The Sign Man (www.thesignman.com) of Baton Rouge, LA.

The badges which are 1-3/4 in. x 3 in. If you visit The Sign Man's webpage you can order the badges by using a drop down selection on the orders page and clicking on "Great South Bay ARC - NY"



November Birthdays

Rosemary, N2FLQ
Tom, KD2DTZ
Theresa, K2TRC
Ron, K2NYG
Henry, KC2VVR
Alice, W2DVA
Kristi, KC2TMB
Rich, KC2RIL
Tom, KC2MOX
John, K2IZ
John, W2JCB
Ed, KD2ADC



Pride Equipment

Corporation

150 Nassau Avenue,
Islip, NY 11751
(800)-564-7743
Fax: 631-224-5152